

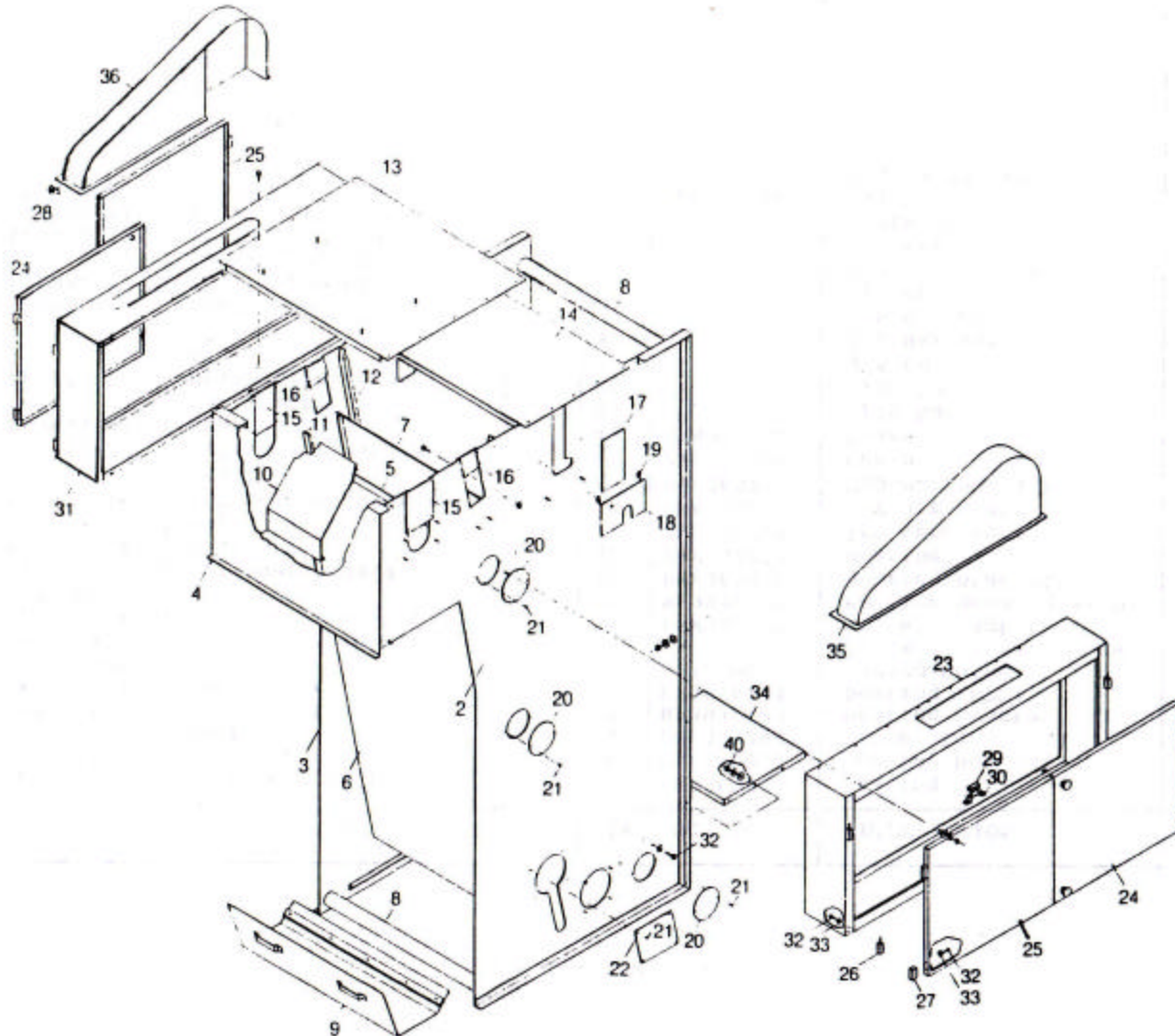
DIVERSIFIED TEXTILE MACHINERY

133 Kings Road. PO Box 809. Kings Mountain, NC 28086. Phone: 704-739-2121.

Fax: 704-739-2161 E-mail: sales@diversifiedtextilemach.com

DTM

RESERVE FEEDER SUB-ASSEMBLY 36" (9 x 9)



DIVERSIFIED TEXTILE MACHINERY

133 Kings Road. PO Box 809. Kings Mountain, NC 28086. Phone: 704-739-2121.

Fax: 704-739-2161 E-mail: sales@diversifiedtextilemach.com

DTM

RESERVE FEEDER SUB-ASSEM. 36" (9 x 9)

Description	DTM #	Drawing #	FCC #
Reserve Feeder x 36	SRF360137	17-1	
Left Side Assembly	SRF360138	17-2	
Right Side Assembly	SRF360139	17-3	
Top Back Piece	FRF360140	17-4	F73000276
Top Back Cover	FRF360141	17-5	F73000289
Back Bottom Cover	FRF360142	17-6	F73000302
Vertical Apron Slide	SRF360143	17-7	S73000288
Tie Rod	FRF360144	17-8	F55000159
Catch Pan Assembly	SRF360145	17-9	S73000303
Doffer Slide Assembly	SRF360146	17-10	S73000305
Apron Runner Long	FRF360147	17-11	F73000200
Apron Runner Short	FRF360148	17-12	F73000201
Top Cover Assembly	SRF360149	17-13	S73000653
Top Cover	SRF360150	17-14	S73000659
Doffer Fill-in	FRF360151	17-15	F55000490
Apron Fill-in	FRF360152	17-16	F55000264
Fill in Piece	FRF360153	17-17	F73000184
Cover Plate	FRF360154	17-18	F73000571
Spring Fastener	PWF360294	17-19	P35000042
6" Cover (plastic)	FWF360023	17-20	F60001148

Description	DTM #	Drawing #	FCC #
Cover Plate	FRF360155	17-22	F73000197
Left Blister Assembly	SRF360156	17-23	S73000244
Door	FWF360019	17-24	F55000622
Door	FWF360018	17-25	F55000623
Male Hinge	PWF360288	17-26	S71000214
Female Hinge	PWF360289	17-27	F55000212
Adjustable Pawl	PWF360286	17-28	P35000036
Limit Switch	PWF360287	17-29	PUS016076
Limit Switch Bracket	FWF360033	17-30	F60001146
Right Side Blister	SRF360157	17-31	S55000613
Apron Slide Assembly	SRF360158	17-34	S73000307
Motor Guard	PRF360159	17-35	P73000309
Motor Guard	PRF360160	17-36	P73000581
8/32 x 1/2 Self Tap	PRF36	17-21	
1/4 x 1/2 HH	PRF36	17-32	
1/4 LW	PRF36	17-33	
3/8 FW	PRF36	17-37	
3/8 LW	PRF36	17-38	
3/8 x 1 HH	PRF36	17-39	
1/4-20 Nut	PRF36	17-40	