

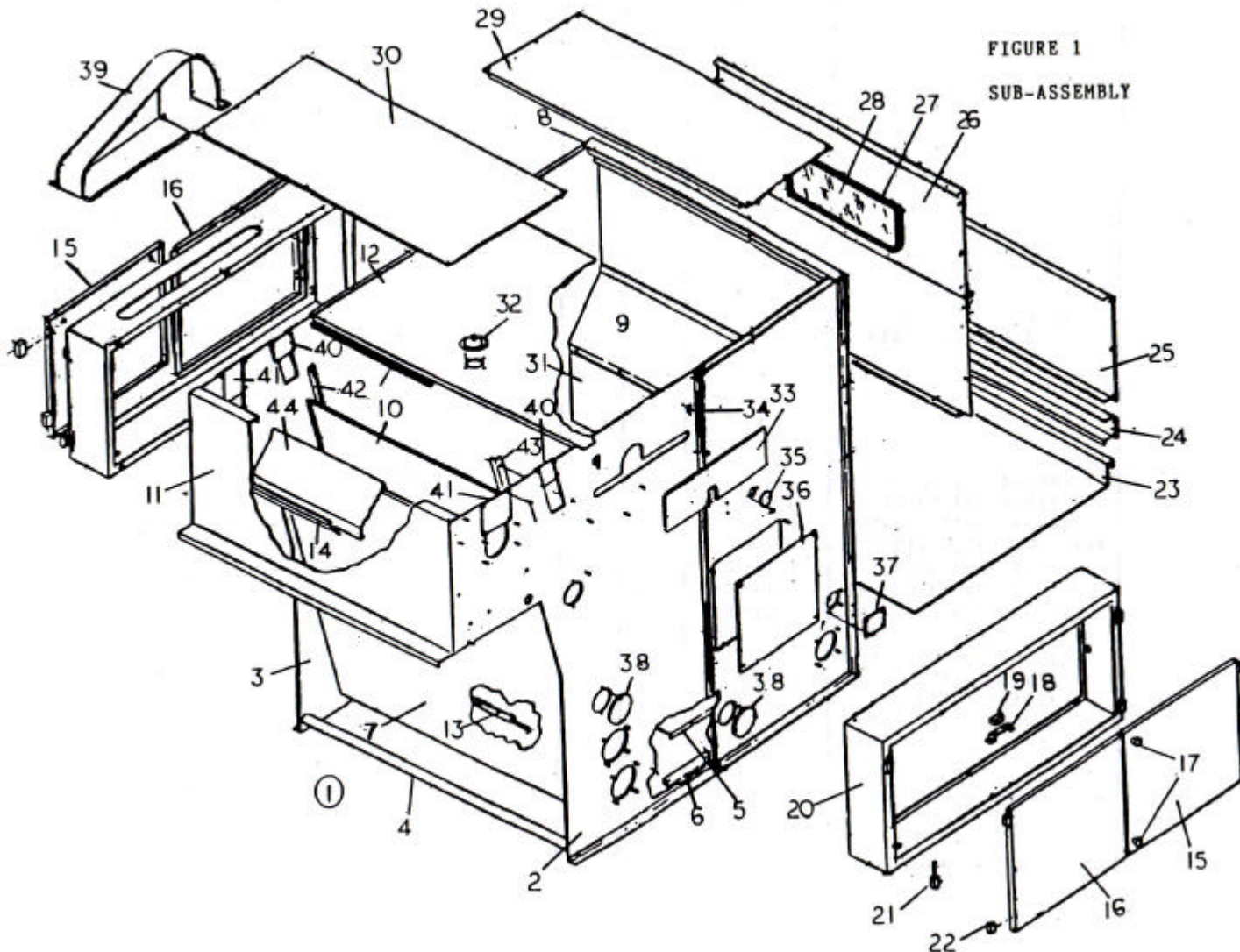
DIVERSIFIED TEXTILE MACHINERY

133 Kings Road. PO Box 809. Kings Mountain, NC 28086. Phone: 704-739-2121.

Fax: 704-739-2161 E-mail: sales@diversifiedtextilemach.com

DTM

FEEDER SUB-ASSEMBLY 36"



DIVERSIFIED TEXTILE MACHINERY

133 Kings Road. PO Box 809. Kings Mountain, NC 28086. Phone: 704-739-2121.

Fax: 704-739-2161 E-mail: sales@diversifiedtextilemach.com

DTM

FEEDER SUB-ASSEMBLY 36"

Description	DTM #	Drawing #	FCC #
Sub-Assembly	SWF360001	1-1	S55000691
Left Side Panel Assembly	SWF360003	1-2	S55000698
Right Side Panel Assembly	SWF360002	1-3	S55000691
Tie Rod	FWF360010	1-4	F55000159
Horizontal Apron Slide	PWF360006	1-5	F55000866
Retriever Rail	FWF360004	1-6	F55000594
Front Plain Apron Slide	FWF360008	1-7	F62000124
Front Top Cover	FWF360007	1-8	F55000227
Front Door Hanger	FWF360005	1-9	F55000175
Vertical Slide	FWF360009	1-10	F55000873
Top Back Piece	FWF360012	1-11	F55000199
Top Middle Cover	FWF360011	1-12	F55000232
Stock Return Piece	FWF360014	1-13	F80000252
Deflector	FWF360013	1-14	F55000194
Door	FWF360019	1-15	F55000622
Door	FWF360018	1-16	F55000623
Adjustable Pawl (door latch)	PWF360286	1-17	P35000036
Limit Switch Bracket	FWF360033	1-18	F60001146
Limit Switch	PWF360287	1-19	PUS016076
Left & Right Guard Weldment	SWF360022	1-20	S55000627
Male Hinge	PWF360288	1-21	S71000214
Female Hinge	PWF360289	1-22	S71000212

Description	DTM #	Drawing #	FCC #
Fiber Retriever Assembly	SWF360041	1-23	S80000356
4" Front Bottom Piece	FWF360043	1-24	F55000932
Front Bottom Piece	FWF360044	1-25	F55000926
Top Front Cover Assembly	SWF360031	1-26	F55000935
Window Seal (per foot)	PWF360290	1-27	P21000004
Plexiglas Window	PWF360291	1-28	P71000128
22" Top Cover	PWF360015	1-29	F55000222
Top Cover	FWF360029	1-30	F55000742
Swinging Door Assembly	SWF360292	1-31	S55000382
Sprinkler Dome	PWF360293	1-32	P50000177
Cover Plate (sgt comb)	FWF360026	1-33	F55000713
Spring Fastener	PWF360294	1-34	P35000042
Eye Cover Plate	FWF360295	1-35	F55000697
Cleanout Cover 18"	FWF360025	1-36	F55000748
Cover Plate	FWF360024	1-37	F55000653
Cover Plate (plastic)	FWF360023	1-38	F60001148
Motor Guard	SWF360048	1-39	S55000581
Lift Apron Fill-in	FWF360047	1-40	F55000264
Doffer Fill-in	FWF360046	1-41	F55000490
Apron Runner Angle RH	FWF360028	1-42	F80000251
Apron Runner Angle LH	FWF360296	1-43	F80000251
Material Slide Assembly	SWF360045	1-44	S55000664