

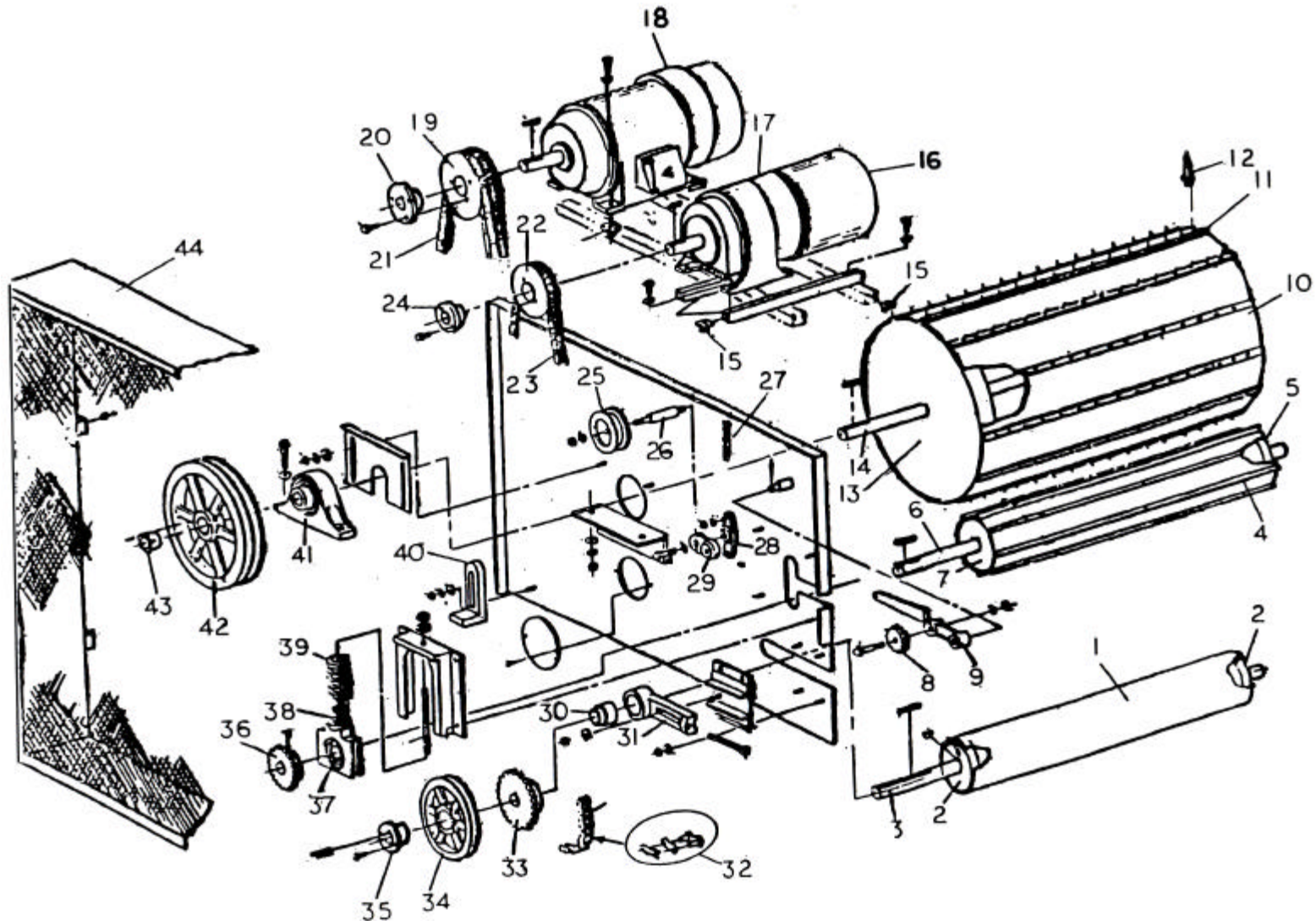
DIVERSIFIED TEXTILE MACHINERY

133 Kings Road. PO Box 809. Kings Mountain, NC 28086. Phone: 704-739-2121.

Fax: 704-739-2161 E-mail: sales@diversifiedtextilemach.com

DTM

BLENDER MAIN ASSEMBLY



DIVERSIFIED TEXTILE MACHINERY

133 Kings Road. PO Box 809. Kings Mountain, NC 28086. Phone: 704-739-2121.

Fax: 704-739-2161 E-mail: sales@diversifiedtextilemach.com



DTM

BLENDER MAIN ASSEMBLY

Description	DTM #	Drawing #	FCC #
Conveyor Tubing Assembly	SBL300048	12-1	S92000223
Tubing Head	PBL300049	12-2	P92000445
Shaft	PBL300051	12-3	P92000240
Aluminum Tubing	PBL300038	12-4	P90000155
Nip Roll Head	PBL300039	12-5	P90000153
Nip Roll Shaft	PBL300040	12-6	P90000158
Nip Roll Assembly	SBL300036	12-7	S90000164
Idler Sprocket	PBL300070	12-8	P16000010
Chain Tighten Bracket	PBL300058	12-9	P92000210
Beater Assembly	SBL300041	12-10	S90000305
Beater Slat	FBL300044	12-11	F90000234
Beater Pin	PBL300045	12-12	P90000203
Beater Head	FBL300042	12-13	P90000303
Beater Shaft	PBL300046	12-14	P35000308
Nut PS8RS	PWF36	12-15	P35000006
Drive Motor 1/2 HP DC	PBL300060	12-16	
Gear Reducer	PBL300061	12-17	
Drive Motor 5 HP w/ Brake	PBL300072	12-18	P22000037
Drive Sheave	PBL300074	12-19	P19000073
Bushing	PBL300075	12-20	P20000013
Drive Belt	PBL300078	12-21	P15000048
Motor Sheave	PBL300064	12-22	P19000023

Description	DTM #	Drawing #	FCC #
Conveyor Drive Belt	PBL300071	12-23	
Bushing	PBL300065	12-24	
Flat Idler	PBL300057	12-25	P16000007
Idler Pulley Stud	PBL300056	12-26	P70000331
Spring	PBL300059	12-27	P17000009
Base	PBL300054	12-28	P55000767
Arm	PBL300055	12-29	P55000768
Bearing	PWF360100	12-30	P16000048
Bearing Housing	SBL300012	12-31	S92000460
Connecting Link	PWF360092	12-32	
Sprocket	PBL300068	12-33	S55000981
Conveyor Sheave	PBL300066	12-34	
Bushing	PBL300067	12-35	
Idler Sprocket Assembly	SBL300069	12-36	S55000980
Bearing	PBL300016	12-37	P16000066
Spring Guide	PBL300015	12-38	P92000217
Spring	PBL300017	12-39	P90000166
Adjuster Foot	PEA360140	12-40	P66000115
Bearing	PBL300010	12-41	P16000056
Beater Sheave	PBL300076	12-42	P19000017
Bushing	PBL300077	12-43	P20000056
Guard Assembly	SBL300079	12-44	S90000264